

# Non-Contact High Voltage Detector



The 277 HP is an ideal tool for checking the presence of AC high voltages and AC low voltages in cables, wall outlets, fuses, etc.

The 277 HP provides non-contact detection for AC voltages from 50V~132kV. It is useful in industrial, utility and mine safety applications.

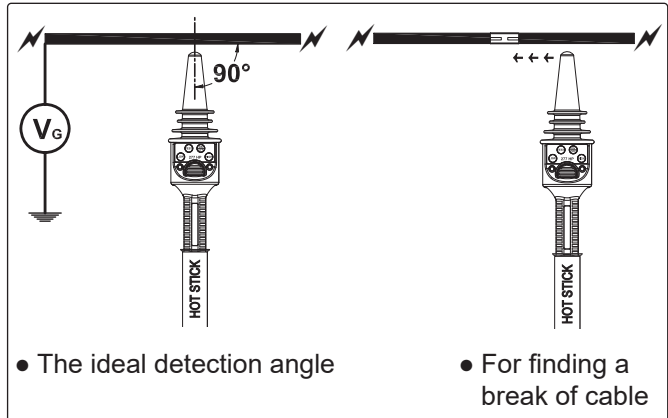
- **Protection class: IP65**
- 2 ranges for selection (2 function buttons)  
LOW: 50V~1.5kV  
HIGH: 1.5kV~132kV
- Power consumption:  
OFF: Less than 5uA  
Low voltage detection mode: Less than 40mA  
High voltage detection mode: Less than 40mA
- Circuit test function  
Press the Test button to make sure the whole circuit is working well before testing actual high voltage circuits
- Optional accessories:  
HS-175 Telescopic hot stick (triangle-type)  
HS-120 Hot stick

## SPECIFICATIONS

|                           |  |
|---------------------------|--|
| Operating temperature     | 0°C ~ 40°C   |
| Dimensions                | 318(L) × 75(W) × 71(D)mm                             |
| Weight (battery included) | Approx. 227g   |
| Power source              | 9V(6LF22) × 1 Alkaline battery                       |
| Safety standards          | EN 61326-1<br>EN 61000-4-2 EN 61000-4-3              |
| Accessories               | Instruction manual<br>Carry case<br>Alkaline battery |

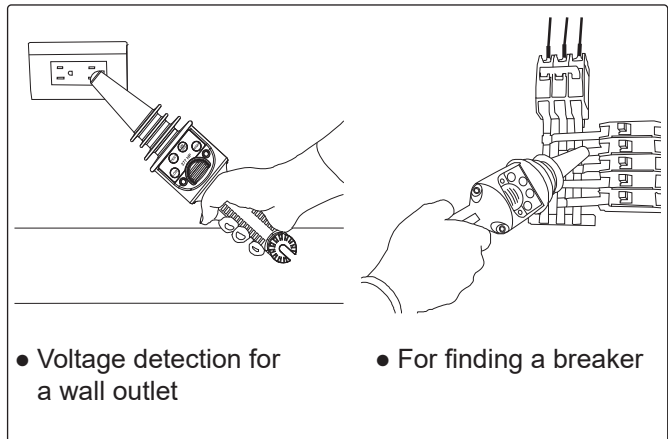
## APPLICATIONS

- Non-contact detection of live voltages
- Finding faults in cables
- Checking and detecting live high voltage cables
- Tracing live wires
- Checking high frequency radiation
- Checking grounding equipment
- Detecting residual or induced voltages



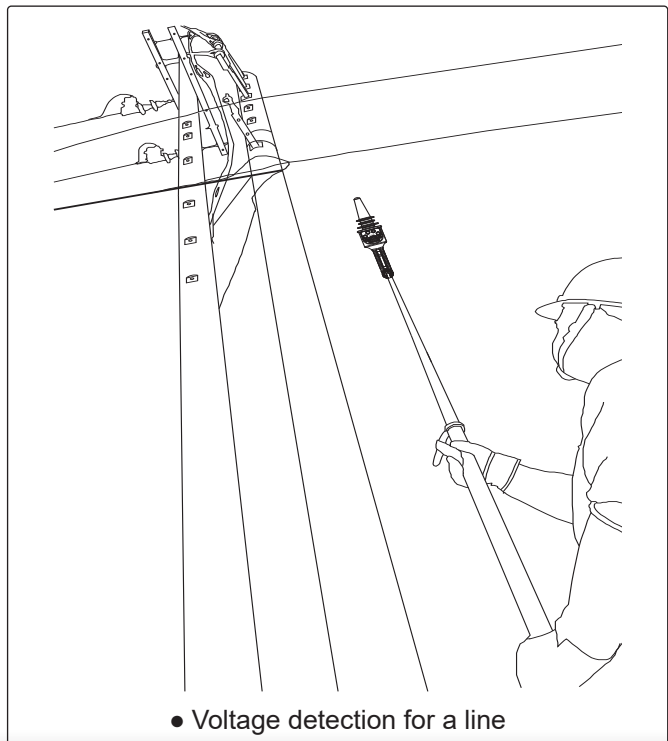
● The ideal detection angle

● For finding a break of cable



● Voltage detection for a wall outlet

● For finding a breaker



● Voltage detection for a line